

Manual, Enhanced, and Communications Models

The EXCEL[®] XR metering pump is a mechanically actuated diaphragm pump driven by advanced variable speed technology to provide the most accurate and reliable performance in the industry. This proven technology is easy to maintain and will provide years of maximum up-time service. Available in three control configurations, Manual, Enhanced, and Communications Models, the EXCEL XR pump fits seamlessly into the process control requirements of every application. The Manual model is the entry level model with two digital inputs, the Enhanced model provides a full range of capabilities, and the Communications model offers Profibus DP or Modbus RTU communication protocols for 2-way communication. All models come standard with a color backlit display, multi-language options and remote operation options. The EXCEL XR metering pump provides everything you need for complete control of your process.



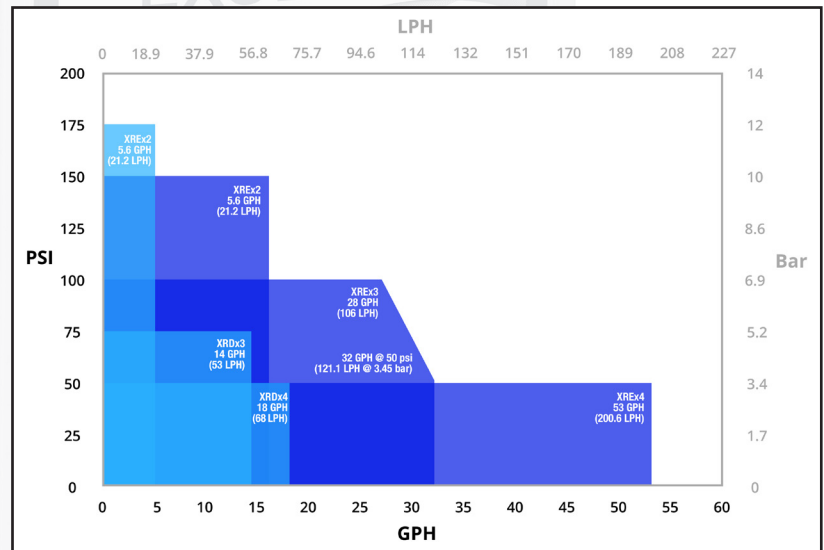
Applications

Whatever your application, the EXCEL XR metering pump can provide the performance you need. Designed for the specific requirements of municipal and industrial water and waste treatment, the EXCEL XR pump is suitable for a wide range of applications.

- Water treatment
- Waste water treatment
- General industry
- Agricultural
- Chemical
- Oil & gas
- Power generation
- Pulp & paper
- Textiles
- Other (contact your local authorized representative)

Performance Specifications

Turndown Ratio:	Up to 1000:1
Steady State Accuracy:	+/- 1.0%
Repetitive Accuracy:	+/- 3.0%
Linearity:	+/- 3.0%
Duty Rating:	Continuous



Features and Benefits

- Intuitive user interface with backlit color display makes setup and customization simple.
- Wide range of control and input/output options to meet the demanding needs of most applications.
- Universal power supply providing maximum flexibility to power your pump: 100-240V, 50/60 Hz
- Multi-language navigation (English, French, Spanish, Portuguese and Chinese) for convenient operation anywhere in the field.
- Innovative drive system creates superior +/- 1% steady state accuracy over 1000:1 turndown ratio for greater flexibility of handling difficult chemicals.
- Optional liquid-end materials to maximize the life of the pump in challenging environments: polypropylene, PVDF, and 316L Stainless Steel.
- Mechanically actuated diaphragms for simple maintenance and reliable operation.
- Rugged construction with NEMA 4X/IP 65 housing and protective cover for the harshest environments.

OUTPUT CODE 2 5.6 GPH (21.2 LPH); 175 psi (12 bar)

Drive End	Note: Cordsets from the accessories table may be required for the customer to connect to desired input/output.							151 SPM Max.		
Control	Description	Cordset Included		Part Number						
XRD12	Manual Control	-		-				See Note		
XRD92	Enhanced Control	4 Pin Cordset		54711						
XRDP2	Enhanced Control with ProfiBus	4 Pin, 5 Pin Cordset		54711, 55199						
XRDM2	Enhanced Control with ModBus	4 Pin, 5 Pin Cordset		54711, 55199						
	Power Code	Voltage	Plug							
	1	110/240V	110 - 120 VAC 1 Phase US Plug							
	2	220/240V	220 - 240 VAC 1 Phase US Plug							
	3	220/240V	220 - 240 VAC 1 Phase DIN Plug							
	5	220/240V	220 - 240 VAC 1 Phase UK Plug							
	6	220/240V	220 - 240 VAC 1 Phase Australia / New Zealand Plug							
	Liquid End	Head	Seat	Balls	Check Valve Body	Max Turndown Ratio	Standard	RPM Kit	DN15 Conn.	
	Standard Plastic									
	A44AC	PP	TFE/P	Ceramic	PVDF	1000:1	RPM54771	RPM54772		
	A44A1	PP	TFE/P	316L	PVDF	1000:1	RPM54778	RPM54779		
	A44AT	PP	TFE/P	PTFE	PVDF	1000:1	RPM56409	RPM56410		
	A74TC	PVDF	PTFE	Ceramic	PVDF	200:1	RPM54773	RPM54774		
	A74AT	PVDF	TFE/P	PTFE	PVDF	1000:1	RPM56409	RPM56410		
	Standard Metallic									
	A1411	316L	316L	316L	316L	1000:1	see below			
	Slurry									
	S1414	316L	316L	440C	316L	1000:1	RPM54776			
	High Viscosity									
	V44T1	PP	PTFE	316L	PP	1000:1	RPM54777			
		Standard Plastic	Diaphragm	O-Rings	Fittings	Connections	Tubing Kit	RPM Kit		
		A7T1	PTFE/PVDF	TFE/P	PVDF	Imperial Tube	1	-		
		A7PN	PTFE/PVDF	TFE/P	PVDF	1/2" NPT/BSP	-	-		
		A7M2	PTFE/PVDF	TFE/P	PVDF	Metric Tube	2	-		
		A2FN	PTFE/PVDF	TFE/P	PVDF/PVC	DN 15 Female	-	see above		
		A7DN (PVDF heads only)	PTFE/PVDF	TFE/P	PVDF	DN 15 Male	-	see above		
		Standard Metallic								
		A1PN	PTFE/316L	TFE/P	316L	1/2" FNPT	-	RPM56407		
		V1PN	PTFE/316L	FKM	316L	1/2" FNPT	-	RPM54775		
		Slurry								
		V1PN	PTFE/316L	FKM	316L	1/2" FNPT	-	-		
		High Viscosity								
		N4T3	PTFE/PVDF	-	PP	Imperial Tube	3	-		
XRD12	1	A44AC	A7T1							

OUTPUT CODE 3 14.0 GPH (53.0 LPH); 75 psi (5 bar)

Drive End	Note: Cordsets from the accessories table may be required for the customer to connect to desired input/output.							162 SPM Max.		
Control	Description	Cordset Included		Part Number						
XRD13	Manual Control	-		-				See Note		
XRD93	Enhanced Control	4 Pin Cordset		54711						
XRDP3	Enhanced Control with ProfiBus	4 Pin, 5 Pin Cordset		54711, 55199						
XRDM3	Enhanced Control with ModBus	4 Pin, 5 Pin Cordset		54711, 55199						
	Power Code	Voltage	Plug							
	1	110/240V	110 - 120 VAC 1 Phase US Plug							
	2	220/240V	220 - 240 VAC 1 Phase US Plug							
	3	220/240V	220 - 240 VAC 1 Phase DIN Plug							
	5	220/240V	220 - 240 VAC 1 Phase UK Plug							
	6	220/240V	220 - 240 VAC 1 Phase Australia / New Zealand Plug							
	Liquid End	Head	Seat	Balls	Check Valve Body	Max Turndown Ratio	Standard	RPM Kit	DN15 Conn.	
	Standard Plastic									
	A44AC	PP	TFE/P	Ceramic	PVDF	1000:1	RPM54771	RPM54772		
	A44A1	PP	TFE/P	316L	PVDF	1000:1	RPM54778	RPM54779		
	A44AT	PP	TFE/P	PTFE	PVDF	1000:1	RPM56409	RPM56410		
	A74TC	PVDF	PTFE	Ceramic	PVDF	200:1	RPM54773	RPM54774		
	A74AT	PVDF	TFE/P	PTFE	PVDF	1000:1	RPM56409	RPM56410		
	Standard Metallic									
	A1411	316L	316L	316L	316L	1000:1	see below			
	Slurry									
	S1414	316L	316L	440C	316L	1000:1	RPM54776			
	High Viscosity									
	V44T1	PP	PTFE	316L	PP	1000:1	RPM54777			
		Standard Plastic	Diaphragm	O-Rings	Fittings	Connections	Tubing Kit	RPM Kit		
		A7T1	PTFE/PVDF	TFE/P	PVDF	Imperial Tube	1	-		
		A7PN	PTFE/PVDF	TFE/P	PVDF	1/2" NPT/BSP	-	-		
		A7M2	PTFE/PVDF	TFE/P	PVDF	Metric Tube	2	-		
		A2FN	PTFE/PVDF	TFE/P	PVDF/PVC	DN 15 Female	-	see above		
		A7DN PVDF heads only	PTFE/PVDF	TFE/P	PVDF	DN 15 Male	-	see above		
		Standard Metallic								
		A1PN	PTFE/316L	TFE/P	316L	1/2" FNPT	-	RPM56407		
		V1PN	PTFE/316L	FKM	316L	1/2" FNPT	-	RPM54775		
		Slurry								
		V1PN	PTFE/316L	FKM	316L	1/2" FNPT	-	-		
		High Viscosity								
		N4T3	PTFE/PVDF	-	PP	Imperial Tube	3	-		
XRD13	1	A44AC	A7T1							



OUTPUT CODE 4 ————— **18.0 GPH (68.1 LPH); 50 psi (3.5 bar)**

Drive End	Note: Cordsets from the accessories table may be required for the customer to connect to desired input/output.				144 SPM Max.				
Control	Description	Cordset Included	Part Number						
XRD14	Manual Control	-	-		See Note				
XRD94	Enhanced Control	4 Pin Cordset	54711						
XRDP4	Enhanced Control with ProfiBus	4 Pin, 5 Pin Cordset	54711, 55199						
XRDM4	Enhanced Control with ModBus	4 Pin, 5 Pin Cordset	54711, 55199						
Power Code		Voltage	Plug						
1		110/240V	110 - 120 VAC 1 Phase US Plug						
2		220/240V	220 - 240 VAC 1 Phase US Plug						
3		220/240V	220 - 240 VAC 1 Phase DIN Plug						
5		220/240V	220 - 240 VAC 1 Phase UK Plug						
6		220/240V	220 - 240 VAC 1 Phase Australia / New Zealand Plug						
Liquid End		Head	Seat	Balls	Check Valve Body	Diaphragm	Max Turndown Ratio	RPM Kit	
Standard PP									
A46VC		PP	FKM	Ceramic	PP	PTFE	500:1	RPM54780	
A46V1		PP	FKM	316L	PP	PTFE	500:1	RPM54784	
A46AC		PP	TFE/P	Ceramic	PP	PTFE	500:1	RPM56405	
A46A1		PP	TFE/P	316L	PP	PTFE	500:1	RPM56406	
Standard PVDF									
A76VC		PVDF	FKM	Ceramic	PVDF	PTFE	500:1	RPM54780	
A76AT		PVDF	TFE/P	PTFE	PVDF	PTFE	500:1	RPM56411	
A76AC		PVDF	TFE/P	Ceramic	PVDF	PTFE	500:1	RPM56405	
Standard Metallic									
A1611		316L	316L	316L	316L	PTFE	1000:1	see below	
Slurry									
S1614		316L	316L	440C	316L	PTFE	1000:1	RPM54783	
High Viscosity									
V46T1		PVC	PTFE	316L	PP	PTFE	1000:1	RPM54782	
Standard PP		O-Rings		Fittings	Connections	Tubing Kit	RPM Kit		
N4PN		-	-	PP	1/2" NPT/BSP	-	-		
N4TN		-	-	PP	Imperial Tube	-	-		
N2FN		-	-	PP/PVC	DN15 Female	-	-		
Standard PVDF									
N2FN		-	-	PVDF/PVC	DN15 Female	-	-		
N7PN		-	-	PVDF	1/2" NPT/BSP	-	-		
N7TN		-	-	PVDF	Imperial Tube	-	-		
Standard Metallic									
A1PN		TFE/P	-	316L	1/2" FNPT	-	RPM56408		
V1PN		FKM	-	316L	1/2" FNPT	-	RPM54781		
Slurry									
V1PN		FKM	-	316L	1/2" FNPT	-	-		
High Viscosity									
N4P4		-	-	PP	1/2" NPT/BSP	4	-		
N4T4		-	-	PP	Imperial Tube	4	-		
XRD14	1	A46AC	N4PN						

OUTPUT CODE 2 16 GPH (60.6 LPH); 150 psi (10.3 bar)

Drive End	Note: Cordsets from the accessories table may be required for the customer to connect to desired input/output.						198 SPM Max.			
Control	Description	Cordset Included		Part Number		See Note				
XRE12	Manual Control	-		-		See Note				
XRE92	Enhanced Control	4 Pin Cordset		54711						
XREP2	Enhanced Control with ProfiBus	4 Pin, 5 Pin Cordset		54711, 55199						
XREM2	Enhanced Control with ModBus	4 Pin, 5 Pin Cordset		54711, 55199						
	Power Code	Voltage	Plug							
	1	110/240V	110 - 120 VAC 1 Phase US Plug							
	2	220/240V	220 - 240 VAC 1 Phase US Plug							
	3	220/240V	220 - 240 VAC 1 Phase DIN Plug							
	5	220/240V	220 - 240 VAC 1 Phase UK Plug							
	6	220/240V	220 - 240 VAC 1 Phase Australia / New Zealand Plug							
	Liquid End	Head	Seat	Balls	Check Valve Body	Max Turndown Ratio	Standard	RPM Kit	DN15 Conn.	
	Standard Plastic									
	A44A1	PP	TFE/P	316L	PVDF	1000:1	RPM54778	RPM54779		
	A44AC	PP	TFE/P	Ceramic	PVDF	1000:1	RPM54771	RPM54772		
	A44AT	PP	TFE/P	PTFE	PVDF	1000:1	RPM56409	RPM56410		
	A74AT	PVDF	TFE/P	PTFE	PVDF	1000:1	RPM56419	RPM56410		
	A74TC	PVDF	PTFE	Ceramic	PVDF	200:1	RPM54773	RPM54774		
	Standard Metallic									
	A1411	316L	316L	316L	316L	1000:1	see below			
	Slurry									
	S1414	316L	316L	440C	316L	1000:1	see below			
	High Viscosity									
	V44T1	PP	PTFE	316L	PP	1000:1	see below			
		Standard Plastic	Diaphragm	O-Rings	Fittings	Connections	Tubing Kit	RPM Kit		
		A2FN	PTFE/PVDF	TFE/P	PVDF/PVC	DN 15 Female	-	-		
		A7M2	PTFE/PVDF	TFE/P	PVDF	Metric Tube	2	-		
		A7PN	PTFE/PVDF	TFE/P	PVDF	1/2" NPT/BSP	-	-		
		A7T1	PTFE/PVDF	TFE/P	PVDF	Imperial Tube	1	-		
		A7DN (PVDF heads only)	PTFE/PVDF	TFE/P	PVDF	DN 15 Male	-	-		
		Standard Metallic								
		A1PN	PTFE/316L	TFE/P	316L	1/2" FNPT	-	RPM56407		
		V1PN	PTFE/316L	FKM	316L	1/2" FNPT	-	RPM54775		
		Slurry								
		V1PN	PTFE/316L	FKM	316L	1/2" FNPT	-	RPM54776		
		High Viscosity								
		N4T3	PTFE/PVDF	-	PP	Imperial Tube	3	RPM54777		
XRE12	1	A44AC	A7T1							

OUTPUT CODE 3 28 GPH (106 LPH); 100 psi (6.9 bar) - 32 GPH (121 LPH); 50 psi (3.5 bar)

Drive End	Note: Cordsets from the accessories table may be required for the customer to connect to desired input/output.						200 SPM Max.			
Control	Description	Cordset Included		Part Number		See Note				
XRE13	Manual Control	-		-		See Note				
XRE93	Enhanced Control	4 Pin Cordset		54711						
XREP3	Enhanced Control with ProfiBus	4 Pin, 5 Pin Cordset		54711, 55199						
XREM3	Enhanced Control with ModBus	4 Pin, 5 Pin Cordset		54711, 55199						
	Power Code	Voltage	Plug							
	1	110/120V	110 - 120 VAC 1 Phase US Plug							
	2	220/240V	220 - 240 VAC 1 Phase US Plug							
	3	220/240V	220 - 240 VAC 1 Phase DIN Plug							
	5	220/240V	220 - 240 VAC 1 Phase UK Plug							
	6	220/240V	220 - 240 VAC 1 Phase Australia / New Zealand Plug							
	Liquid End	Head	Seat	Balls	Check Valve Body	Max Turndown Ratio	RPM Kit			
	Standard PP									
	A46A1	PP	TFE/P	316L	PP	500:1	RPM56406			
	A46AC	PP	TFE/P	Ceramic	PP	500:1	RPM56405			
	A46V1	PP	FKM	316L	PP	500:1	RPM54784			
	A46VC	PP	FKM	Ceramic	PP	500:1	RPM54780			
	Standard PVDF									
	A76AC	PVDF	TFE/P	Ceramic	PVDF	500:1	RPM56405			
	A76AT	PVDF	TFE/P	PTFE	PVDF	500:1	RPM56411			
	A76VC	PVDF	FKM	Ceramic	PVDF	500:1	RPM54780			
	Standard Metallic									
	A1611	316L	316L	316L	316L	1000:1	see below			
	Slurry									
	S1614	316L	316L	440C	316L	1000:1	RPM54783			
	High Viscosity									
	V46T1	PP	PTFE	316L	PP	1000:1	RPM54782			
		Standard PP	Diaphragm	O-Rings	Fittings	Connections	Tubing Kit	RPM Kit		
		N4PN	PTFE	-	PP	1/2" MNPT	-	-		
		N2FN	PTFE	-	PP/PVC	DN15 Female	-	-		
		Standard PVDF								
		N2FN	PTFE	-	PP/PVC	DN15 Female	-	-		
		N7PN	PTFE	-	PVDF	1/2" MNPT	-	-		
		Standard Metallic								
		A1PN	PTFE	TFE/P	316L	1/2" FNPT	-	RPM56408		
		V1PN	PTFE	FKM	316L	1/2" FNPT	-	RPM54781		
		Slurry								
		V1PN	PTFE	FKM	316L	1/2" FNPT	-	-		
		High Viscosity								
		N4P4	PTFE	-	PP	1/2" MNPT	4	-		
XRE13	1	A46VC	N4PN							

Drive End	Note: Cordsets from the accessories table may be required for the customer to connect to desired input/output.			184 SPM Max.		
Control	Description	Cordset Included	Part Number			
XRE14	Manual Control	-	-	See Note		
XRE94	Enhanced Control	4 Pin Cordset	54711			
XREP4	Enhanced Control with ProfiBus	4 Pin, 5 Pin Cordset	54711, 55199			
XREM4	Enhanced Control with ModBus	4 Pin, 5 Pin Cordset	54711, 55199			
Power Code	Voltage	Plug				
1	110/120V	110 - 120 VAC 1 Phase US Plug				
2	220/240V	220 - 240 VAC 1 Phase US Plug				
3	220/240V	220 - 240 VAC 1 Phase DIN Plug				
5	220/240V	220 - 240 VAC 1 Phase UK Plug				
6	220/240V	220 - 240 VAC 1 Phase Australia / New Zealand Plug				
Liquid End	Head	Seat	Balls	Check Valve Body	Max Turndown Ratio	RPM Kit
Standard PP						
A46A1	PP	TFE/P	316L	PVDF	500:1	RPM56406
A46AC	PP	TFE/P	Ceramic	PVDF	500:1	RPM56405
A46V1	PP	FKM	316L	PVDF	500:1	RPM54784
A46VC	PP	FKM	Ceramic	PVDF	500:1	RPM54780
Standard PVDF						
A76AC	PVDF	TFE/P	Ceramic	PVDF	500:1	RPM56405
A76AT	PVDF	TFE/P	PTFE	PVDF	500:1	RPM56411
A76VC	PVDF	FKM	Ceramic	PVDF	500:1	RPM54780
Standard Metallic						
A1611	316L	316L	316L	316L	1000:1	see below
Slurry						
S1614	316L	316L	440C	316L	1000:1	RPM54783
High Viscosity						
V46T1	PP	PTFE	316L	PP	1000:1	RPM54782
Standard PP	Diaphragm	O-Rings	Fittings	Connections	Tubing Kit	RPM Kit
N7NN	PTFE	-	PVDF	3/4" MNPT	-	-
N2GN	PTFE	-	PVDF/PVC	DN20 Female	-	-
Standard PVDF						
N7NN	PTFE	-	PVDF	3/4" MNPT	-	-
N2GN	PTFE	-	PVDF/PVC	DN20 Female	-	-
Standard Metallic						
A1NN	PTFE	TFE/P	316L	3/4" FNPT	-	RPM56408
V1NN	PTFE	FKM	316L	3/4" FNPT	-	RPM54781
Slurry						
V1NN	PTFE	FKM	316L	3/4" FNPT	-	-
High Viscosity						
N4N5	PTFE	-	PP	3/4" MNPT	5	-
XRE14	1	A46VC	N7NN			

Tubing Kits (included in select pump configurations)

Tubing Kit 1	Tubing Kit 2	Tubing Kit 3	Tubing Kit 4	Tubing Kit 5
<ul style="list-style-type: none"> Injection Valve Foot Valve 1 Weight (Suction Tubing) 16' PE Tube 3/8" 20" Reinforced PVC Hose 1/4" x 1/2" 	<ul style="list-style-type: none"> Injection Valve Foot Valve 1 Weight (Suction Tubing) Metric Ferrules 6x12mm 6m Reinforced PVC Hose 6x12mm 	<ul style="list-style-type: none"> Injection Valve 2m Reinforced PVC hose 15x23mm (Suction) 3m PE Tube 1/2" (Discharge) 1 Suction hose fitting (1/2" FNPT x 15x23 hose) & 2 hose clamps 	<ul style="list-style-type: none"> 2m Reinforced PVC hose 15x23mm (Suction) 1 Suction hose fitting (1/2" FNPT x 15x23 hose) & 2 hose clamps 	<ul style="list-style-type: none"> 6.5ft Reinforced PVC hose 0.75" x 1.031" (Suction) 1 Suction hose fitting (3/4" MNPT x 0.75" x 1.031" hose) & 2 hose clamps

Output Code XRDx2, XRDx3, XREx2

Imperial Connections		Metric Connections	
Part Number	Description	Part Number	Description
PP Head, 316 SS Balls			
58982	Injection Valve, PTFE	58982	Injection Valve, PTFE
58987	Foot Valve, Mixed	58987	Foot Valve, Mixed
59008	Connection Kit, 0.375 and 0.25 x 0.5 Tubing Kit, includes:	59009	Connection Kit, 6x12 Tubing Kit, includes:
10342-10	3/8" TUBE x 10 FT	36181-6M	8mm TUBE X 6m
54342-20	1/4" x 1/2" HOSE x 20 FT	70121-6M	6x12mm HOSE X 6m
PP Head, Ceramic Balls			
58983	Injection Valve, Mixed	58983	Injection Valve, Mixed
58985	Foot Valve, Aflas	58985	Foot Valve, Aflas
59008	Connection Kit, 0.375 and 0.25 x 0.5 Tubing Kit, includes:	59009	Connection Kit, 6x12 Tubing Kit, includes:
10342-10	3/8" TUBE X 10 FT	36181-6M	8mm TUBE X 6m
54342-20	1/4" x 1/2" HOSE x 20 FT	70121-6M	6x12mm HOSE X 6m
PVDF Head, Ceramic Balls			
58983	Injection Valve, Mixed	58983	Injection Valve, Mixed
58986	Foot Valve, PTFE	58986	Foot Valve, PTFE
59008	Connection Kit, 0.375 and 0.25 x 0.5 Tubing Kit, includes:	59009	Connection Kit, 6x12 Tubing Kit, includes:
10342-10	3/8" TUBE X 10 FT	36181-6M	8mm TUBE X 6m
54342-20	1/4" x 1/2" HOSE x 20 FT	70121-6M	6x12mm HOSE X 6m
High Viscosity			
		58984	Injection Valve, HV
		59010	Connection Kit, Hose Clamp
		59013	Tubing Kit, HV

Output Code XRDx4 (all kits), XREx3 (NPT Connections only)

Imperial Connections		Metric Connections	
Part No	Description	Part No	Description
PP Head			
26758	Injection Valve, 0.5" Tube, PP, PTFE, Cer	26710	Injection Valve, NPT, PP, PTFE, Cer
25154	Foot Valve, 0.5" Tube, PP, PTFE, Cer	26015	Foot Valve, NPT, PP, PTFE, Cer
77384	Connection Kit, 0.5" Tubing		
PVDF Head			
33481	Injec. Valve, 0.5" Tube, PVDF, PTFE, Cer	38270	Injec. Valve, NPT, PVDF, PTFE, Cer
33480	Foot Valve, 0.5" Tube, PVDF, PTFE, Cer	38271	Foot Valve, NPT, PVDF, PTFE, Cer
77384	Connection Kit, 0.5" Tubing		
High Viscosity			
56912	Inject. Valve 0.5" MNPT, PVDF, PTFE, Cer		

Input/Output Cordsets

Part No.	Description	Application Notes
48414	CORDSET, 5 PIN, 2 M / 6.6 FT	(J2) Digital output
49035	CORDSET, 6 PIN, 2 M / 6.6 FT	(J1 & J4) Digital input & Analog output
54711	CORDSET, 4 PIN, 2 M / 6.6 FT	(J3) Analog input
55199	CORDSET, 5 PIN, 2 M / 6.6 FT	(C) ProfiBus/ModBus Communicaton

Extension Cable Assemblies - 5 Pin

Part No.	Description
50503-6	Extension Cable, 6 M / 19.7 Ft
50503-15	Extension Cable, 15 M / 49.2 Ft

Extension Cable Assemblies - 6 Pin

Part No.	Description
50684-6	Extension Cable, 6 M / 19.7 Ft
50684-30	Extension Cable, 30 M / 98.4 Ft

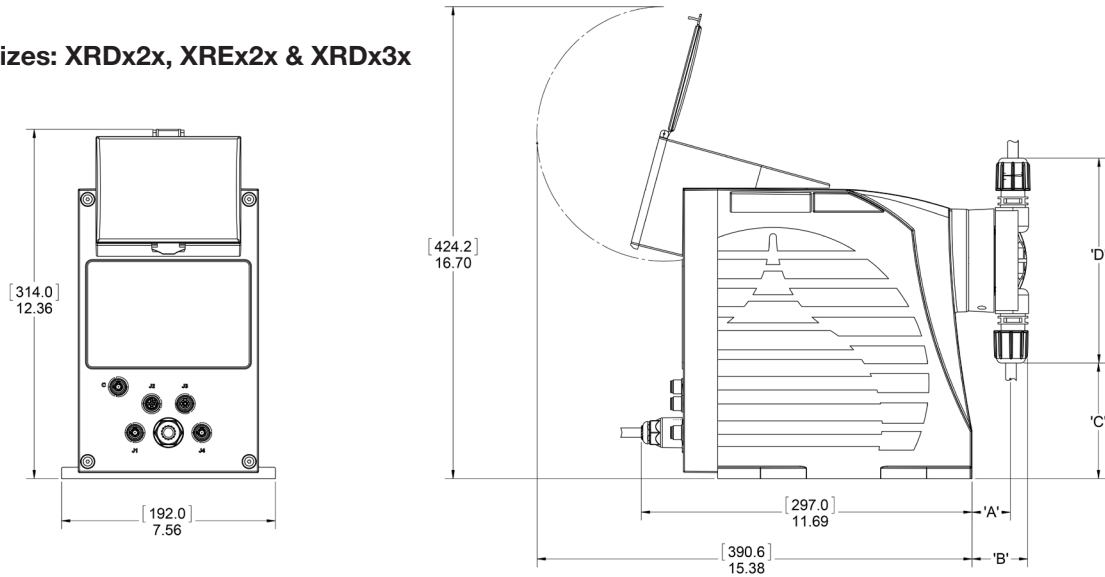
Electronic control by model

	Control Version		
	Manual model	Enhanced model	Communications model
User Interface			
Four Color Backlit graphical display	●	●	●
Flow rate or volume display (GPH, L/hr)	●	●	●
Capacity setting display	●	●	●
Start/Stop button	●	●	●
Mode/Select button	●	●	●
Full capacity (100%) button	●	●	●
Prime button	●	●	●
Active operation mode indication on display	●	●	●
Active alarm indication on display	●	●	●
Calibration status indication on display	●	●	●
Operation Modes			
Manual (Internal)	●	●	●
Analog [0/4-20 mA] (External)		●	●
Pulse [volume/pulse] (External)		●	●
Batch (External)		●	●
Cycle Timer (Internal)		●	●
Timed event (Internal)		●	●
Control Input			
Programmable digital contacts	1	4	4
User 1		●	●
User 2		●	●
User 3		●	●
Single level float switch	●	●	●
Dual low level float switch		●	●
Pulse control		●	●
Remote start/stop	●	●	●
Remote internal/external mode selection		●	●
Programmable analog inputs	0	2	2
Pacing		●	●
Tank level		●	●
Control Protocol			
Modbus RTU*			●
Profibus DP*			●

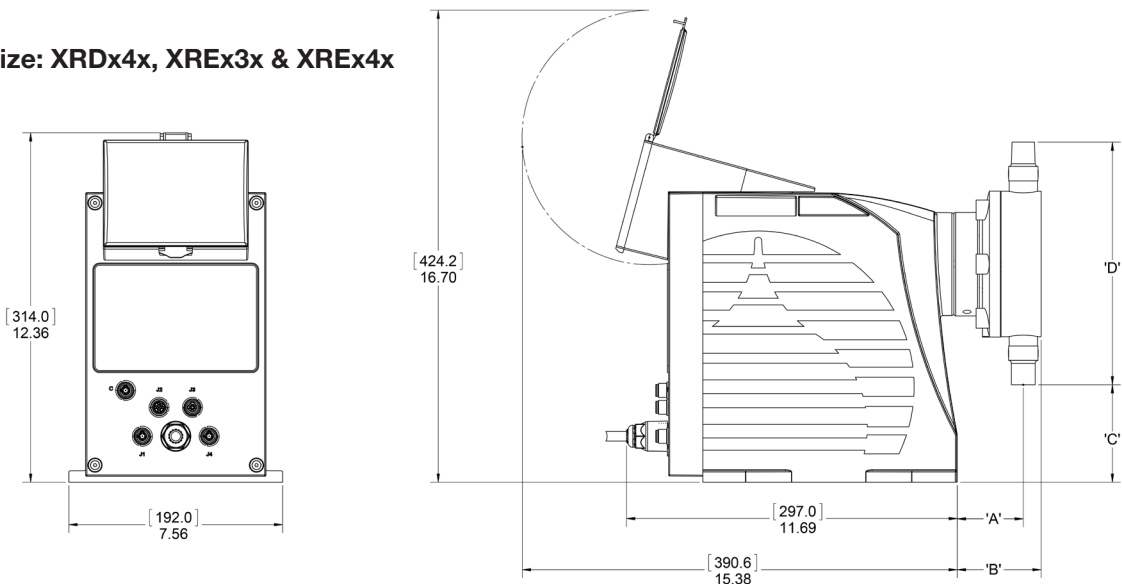
	Control Version		
	Manual model	Enhanced model	Communications model
Control Output			
Programmable digital contacts	0	2	2
Pump running		●	●
Pump standby/stopped [not pumping but ready]		●	●
Alarm status		●	●
User alarm status		●	●
Internal/External mode indication		●	●
Pump stopped		●	●
Stroke pulse		●	●
Timed event running		●	●
Programmable analog output	0	1	1
Flow rate [4-20 mA correlates to 0 - max capacity]		●	●
Mirror analog input 1		●	●
Mirror analog input 2		●	●
Power supply for remote device [24V] (eg. Flow sensor)	0	1	1
Operation functions			
Capacity control by motor speed variation	●	●	●
Variable stroke profile (variable discharge speed/constant suction speed)	●	●	●
Slow suction mode for viscous or degassing media	●	●	●
Calibration function (single point)	●	●	●
Prime feature (max capacity) button, timer	●	●	●
Totalizer (strokes, volume, hours motor operation, number of power cycles)	●	●	●
Keypad lock (software driven with password)	●	●	●
Clock feature (date and 12 hour time)	●	●	●
Diaphragm replacement mode (sets stroke to extended position)	●	●	●
Display firmware revision	●	●	●
Load factory defaults	●	●	●
Battery to maintain date and time settings when main power is removed	●	●	●
EEPROM nonvolatile memory (configurations saved/powers up in last used mode)	●	●	●
Internal/External input control mode configuration	●	●	●
Alarm output mask configuration (configure which events trigger alarm output relay)	●	●	●
Analog input response curve customization		●	●
Input pulse width setting		●	●
Start/Stop via remote signal	●	●	●
Pump switch off on tank empty	●	●	●
Modbus RTU / Profibus DP protocol			●
StayPrime Degassing Technology	●	●	●
Alarm Log	●	●	●

* Must order pump configured for your control protocol (See section table).

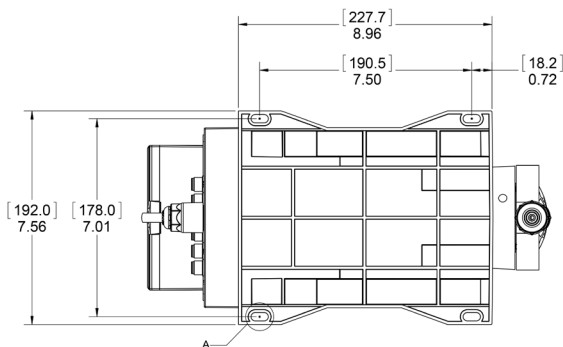
Drive Sizes: XRDx2x, XREx2x & XRDx3x



Drive Size: XRDx4x, XREx3x & XREx4x



**Mounting Information
(All drive sizes)**



DRIVE	LIQUID END	A		B		C		D	
		INCH	[mm]	INCH	[mm]	INCH	[mm]	INCH	[mm]
XRDx2x XRDx3x XREx2x	*TUBE CONNECTIONS: CODE A44, A74"	1.44	36.7	2.03	51.7	4.09	103.9	7.25	184.2
	*DN PIPE CONNECTIONS: CODE A44, A74"	1.44	36.7	2.00	50.7	2.45	62.2	10.54	267.7
	*STAINLESS HEAD AND SLURRY HEAD: CODE A14, S14"	1.38	35.0	2.01	51.0	3.70	94.0	8.03	204.0
	*HIGH VISCOSITY HEAD: CODE V44"	1.61	40.8	2.30	58.3	4.32	109.8	7.63	193.7
XRDx4x XREx3x XREx4x	*NPT CONNECTIONS: CODE A46, A76"	2.33	59.3	2.96	75.3	3.45	87.6	8.58	218.0
	*TUBE CONNECTIONS: CODE A46, A76"	2.33	59.3	2.96	75.3	2.82	71.6	9.84	250.0
	*DN PIPE CONNECTIONS: CODE A46, A76"	2.33	59.3	3.13	79.5	2.05	52.1	11.38	289.0
	*STAINLESS HEAD AND SLURRY HEAD: CODE A16, S16"	2.42	61.4	3.28	83.4	2.98	75.6	9.49	241.0
	*HIGH VISCOSITY HEAD (NPT DISCHARGE): CODE V46"	2.33	59.3	2.95	74.9	3.73	94.8	8.30	210.8
*HIGH VISCOSITY HEAD (TUBE DISCHARGE): CODE V46"	2.33	59.3	2.95	74.9	3.73	94.8	8.93	226.8	

Note: Tube connections A46 and A76 aren't available on XRE, neither is the V46 high viscosity tube option.

Ingersoll Rand Inc. (NYSE:IR), driven by an entrepreneurial spirit and ownership mindset, is dedicated to helping make life better for our employees, customers and communities. Customers lean on us for our technology-driven excellence in mission-critical flow creation and industrial solutions across 40+ respected brands where our products and services excel in the most complex and harsh conditions. Our employees develop customers for life through their daily commitment to expertise, productivity and efficiency. For more information, visit www.IRCO.com



Contact your local representative to find out more about EXCEL® XR the intelligent pump that's making a name for itself.

www.lmipumps.com
www.excelxrpumps.com

*EXCEL® is a registered trademark of Milton Roy, LLC
©2018 Milton Roy, LLC. All rights reserved.*



Literature #IR-59261.05 8/2020